

**PRODUCT CODE: EWS6**  
SWITCH & SOCKET BOX

**DESCRIPTION**

35mm Dual Box Switch & Socket Box

**FINISH**

Pre Galvanised

**MATERIAL**

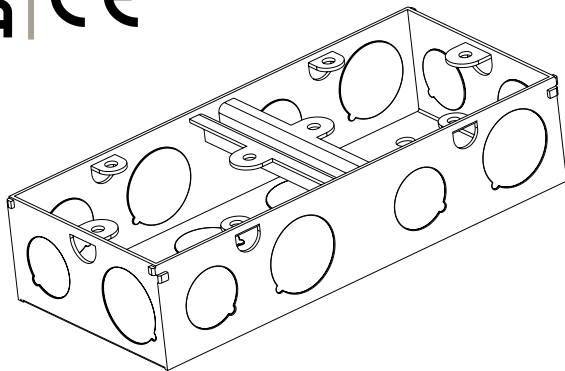
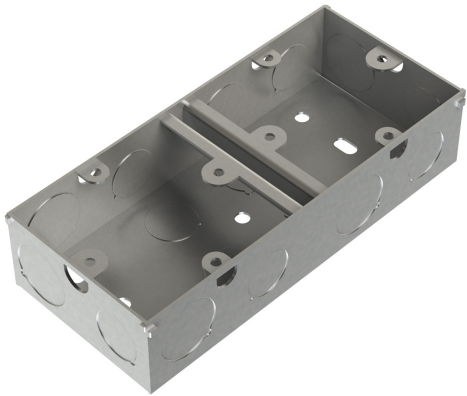
Sheet steel to comply with BS4662

**PACKAGING**

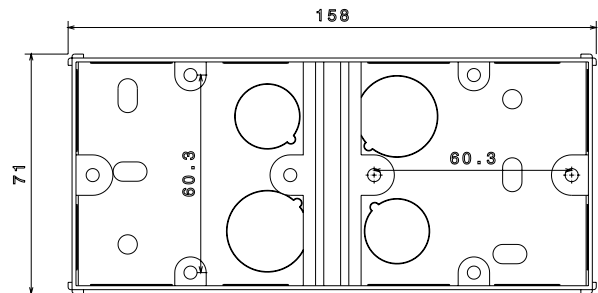
Packed in qty 5

**ADDITIONAL NOTES**

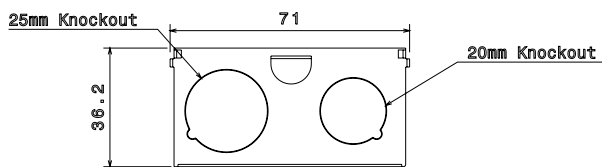
Comprises body and earth terminal with screw  
6 fixed lugs and 2 adjustable lug, 20mm & 25mm Knockouts  
Compliant to BS4662 & LU Standard 1-085 (for use on surface & sub-surface locations)



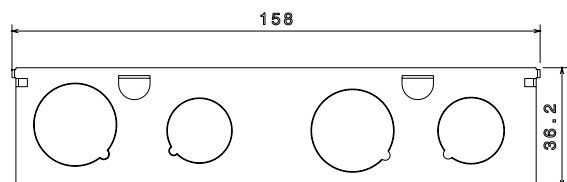
Isometric view



Top view



Front view



Side view